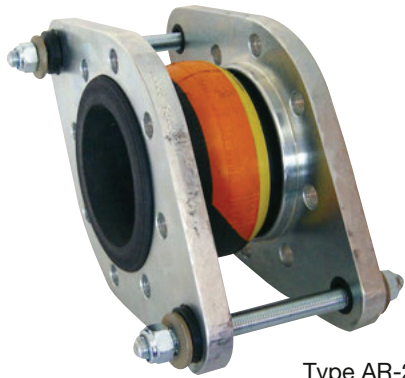


## Rubber expansion joint Type AR-2 and AR-4

Lateral expansion joint DN 20 – DN 400



Type AR-2



Type AR-4

### Structure type AR-2

Lateral expansion joint consisting of a rubber bellows with rotatable flanges and tie rods (external restraints) to absorb reaction force from internal pressure

### Structure type AR-4

Lateral expansion joint consisting of a rubber bellows with rotatable flanges and tie rods (external and internal restraints) to absorb reaction force from internal pressure or vacuum

### Rubber bellows PN 25

- Highly elastic molded bellows in various rubber grades
- High-tensile synthetic fibre reinforcement
- Wire-reinforced self-sealing rubber rim
- Electrical impedance  $10^3$  to  $10^6$  Ohm (DIN IEC 93, VDE 0303-30)

Rubber grade*	Colour code	Possible uses
<b>EPDM</b>	<b>orange/yellow</b>	<b>Hot water, acids, lyes</b>
<b>NBR</b>	<b>red/yellow</b>	<b>Oil</b>

\*Check or inquire about the resistance of the rubber grade to temperature and medium.

### Technical design

Max. perm. operating pressure	<b>25 bar*</b>
Max. perm. temperature	<b>+130 °C</b>
Bursting pressure	<b>≥ 75 bar</b>
Vacuum operation	<b>DN 25-50 without vacuum supporting ring, DN 65-400 with vacuum supporting ring</b>

Max. operating pressure to be set 30 % lower for shock loads.

\*Please consider a decrease of pressure due to temperature (see technical annex).

### Flanges

#### Version

- Flanges with stabilizing collar and ears to carry the tie rods
- Flange drilling for through bolts
- Special machined groove for rubber rim

#### Dimensions

Standard: DN 20 - DN 400 (PN 25) according to EN 1092

Others: DIN EN, ANSI, BS etc.

Connection dimensions see technical annex

#### Materials

Standard: 1.0038 (S235JR)

Others: 1.4541, 1.4571 etc.

#### Corrosion protection

Standard: electrogalvanized

Others: hot-dip galvanized, special varnish, special coating, etc.

### Applications

- for reducing thermal and mechanical tension in pipes and their system components, e.g.
  - pumps
  - compressors
- for muffling vibration and noise
  - at appliances
  - in cooling water and lube oil pipes
- for compensating lateral movement
- to compensate for installation inaccuracies
- in sprinkler systems

### Tie rod restraints

- DN 20 - DN 150 Tie rods carried on silencing rubber sockets
- DN 200 - DN 400 Tie rods carried on spherical washers and conical seats

### Materials

Standard: tie rods 8.8

Others: stainless steel

### Corrosion protection

Standard: electrogalvanized

Others: hot-dip galvanized

### Accessories

- Vacuum supporting ring
- Internal guide sleeve
- Flame-proof protective cover
- Protective hood
- Protective tube

### Certificates

- CE (DGR 97/23/EC)

ООО «ТИ-СИСТЕМС» ИНЖИНИРИНГ И ПОСТАВКА ТЕХНОЛОГИЧЕСКОГО ОБОРУДОВАНИЯ

Интернет: [www.tisys.ru](http://www.tisys.ru) [www.tisys.kz](http://www.tisys.kz) [www.tisys.by](http://www.tisys.by) [www.tesec.ru](http://www.tesec.ru) [www.ти-системс.рф](http://www.ти-системс.рф)

Телефоны: +7 (495) 7774788, 7489626, 5007155, 54 Эл. почта: [info@tisys.ru](mailto:info@tisys.ru) [info@tisys.kz](mailto:info@tisys.kz) [info@tisys.by](mailto:info@tisys.by)

## Dimensions standard program

DN	BL	Pressure rate	Ø di	Ø C	Ø E	Ø W	PN*	Ø D	b	H
	mm	bar	Bellows inner ø mm	Raised face outer ø mm	Raised face inner ø mm	Convolution ø unpressurized mm	Flange connection EN 1092	Flange outer ø mm	Flange thickness mm	Flange height mm
20	100	25	22±3	51	30	55	25	115	16	195
25	100	25	22±3	51	30	55	25	115	16	195
32	125	25	31±3	72	39	78	25	140	16	220
40	125	25	39±3	81	45	86	25	150	16	230
50	125	25	49±3	95	56	97	25	165	16	240
65	125	25	65±3	115	72	113	25	185	18	260
80	150	25	77±3	127	84	135	25	200	20	300
100	150	25	100±3	151	109	160	25	235	20	350
125	150	25	127±3	178	133	184	25	270	22	385
150	150	25	153±3	206	161	212	25	300	22	420
200	175	25	202±3	260	209	265	25	360	25	485
250	175	25	252±3	313	262	318	25	425	25	550
300	200	25	303±3	363	312	373	25	485	25	610
350	200	25	344±3	423	360	420	25	555	30	680
400	200	25	396±3	474	410	460	25	620	30	745

\* also available with flanges PN 16 and PN 10.

## Movement compensation

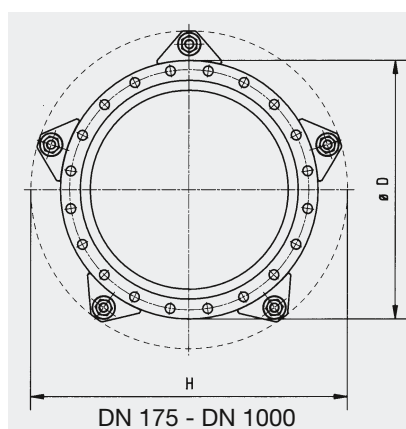
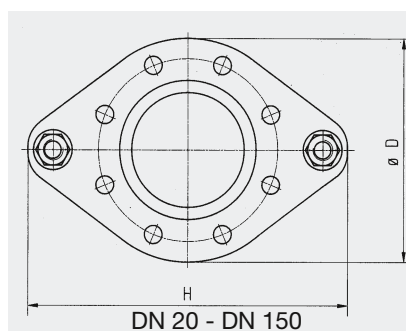
DN	Δ lat Lateral movement ± mm	Permissible vacuum without supporting ring at length BL bar absolute	Weight type AR-2 approx. kg
20	10	-	3.9
25	10	-	3.9
32	15	0	5.1
40	15	0.5	5.6
50	15	0.4	6.2
65	15	0.5	7.6
80	15	0.6	10.7
100	15	0.6	13.8
125	15	0.5	18.6
150	15	0.4	21.2
200	15	0.6	27.3
250	15	0.6	35.4
300	15	0.6	42.5
350	15	0.65	74.0
400	15	0.8	85.7

## Note

Please comply with the general technical instructions regarding reaction force, moving force, fixed point load, installation instructions etc.

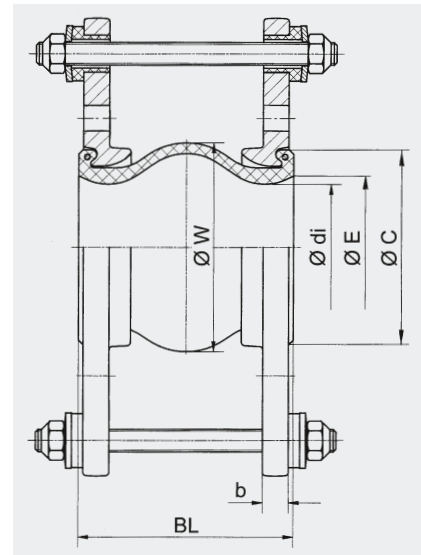
Subject to technical alterations and deviations resulting from the manufacturing process.

## Flange versions



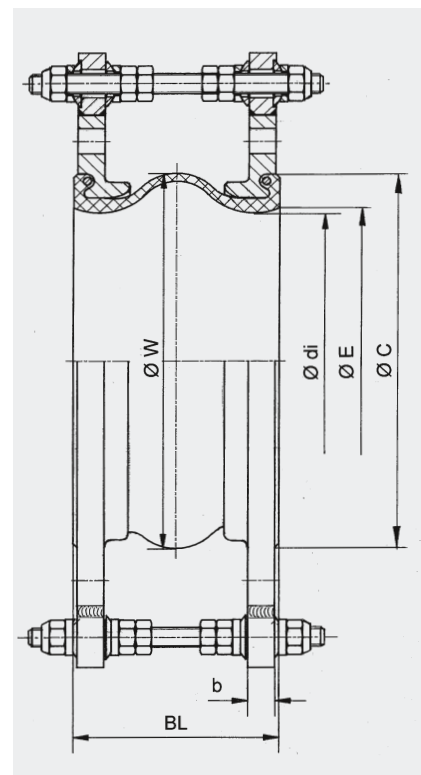
Number of tie rods depending on pressure

## Versions



### Type AR-2

Tie rods, external restraints, carried on silencing rubber sockets



### Type AR-4

Design as type AR-2, additional internal restraints, carried on spherical washers and conical seats